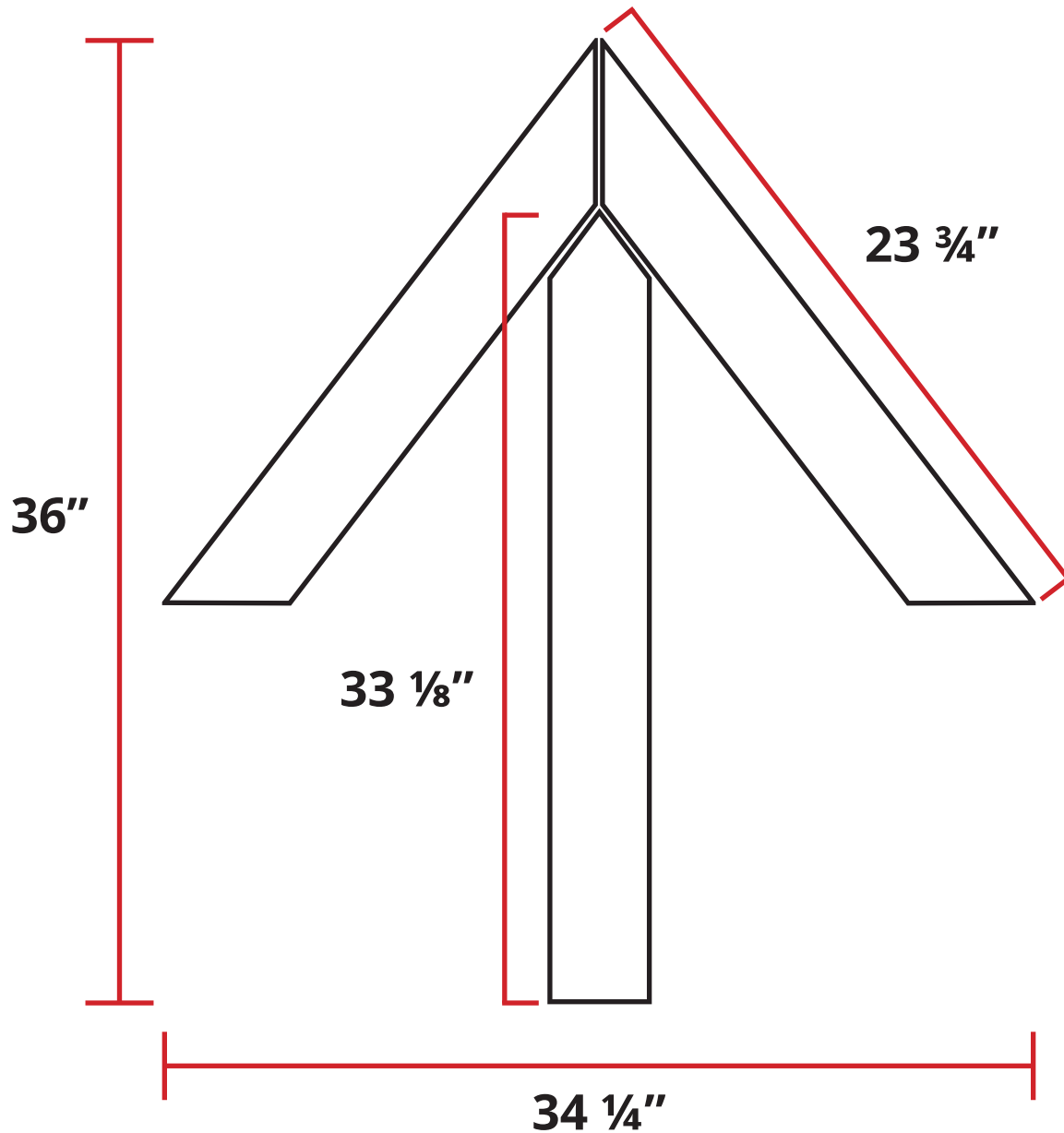


Superior Mark Arrow Installation Instructions



- Arrange your arrow as shown in the above diagram, starting with the center line.
- Make sure that the two parts of the arrow head line up with the diagonal slopes at the tip of the center line.
- The two parts of the arrow head should be placed together with the vertical-cut ends flat together.
- Be sure that the other ends are horizontal, as shown in the diagram.