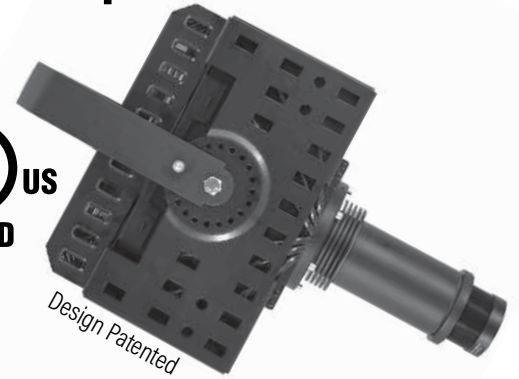


# ECO Spot™ C60PCE LED Gobo Projector - Spec Sheet

## Weather and Dustproof Projector for Rugged Environments

- Passive cooling** - no moving parts such as fans or motors
- Applications** - for bright environments, large projection sizes and long distance projections
- UL/cUL Certified** - for wet and dusty environments
- Interchangeable Projection Lenses** - for a wide range of projection distances and sizes



## SPECIFICATIONS

**Order Code:** ES-C60PCE  
**Power Supply:** 100-277V, 50/60Hz, 60W  
**Temp Rating:** -22°F to 140°F (-30°C to 60°C) Rugged,  
**Environment:** dusty, wet environments

**Lamp Type:** LED - 60 Watt  
**Rated LED Lifespan:** 35,000h until 30% brightness loss is reached (L70\*) (\*L70= the time to 30% brightness loss)  
**LED Color Temp:** 8,000k +/- 500k  
**Luminous Flux:** 4,000lm (effective flux 2,400lm)

**Projection Lenses:** Narrow: f=140mm/10°  
 Semi-Narrow: f=100mm/15°  
 Semi-Wide: f=70mm/20°  
 Wide: f=56mm/25°  
 Ultra-Wide: f=28mm/45° - please note, lens has max Gobo ID of 23mm E-  
**Gobo Size:** Size - Outside Diameter: 37.5mm, Image Diameter: 25mm  
 (ID=23mm for ultra-wide lens)  
**Gobo Types:** Glass or Metal Gobos only, no Film Gobos

**Projection Range**  
**Bright Environment:** - Up to 50 feet  
**Dim Environment:** - Up to 90 feet  
**Dark Environment:** - Up to 180 feet (very dark conditions)

**Safety Standards:** UL 48 Standard for Electric Signs, CSA C22.2 No. 207-15 Standard for Portable and Stationary Electric Signs and Displays. E493665  
**UL Certificate Number:** Rated for Wet Environments

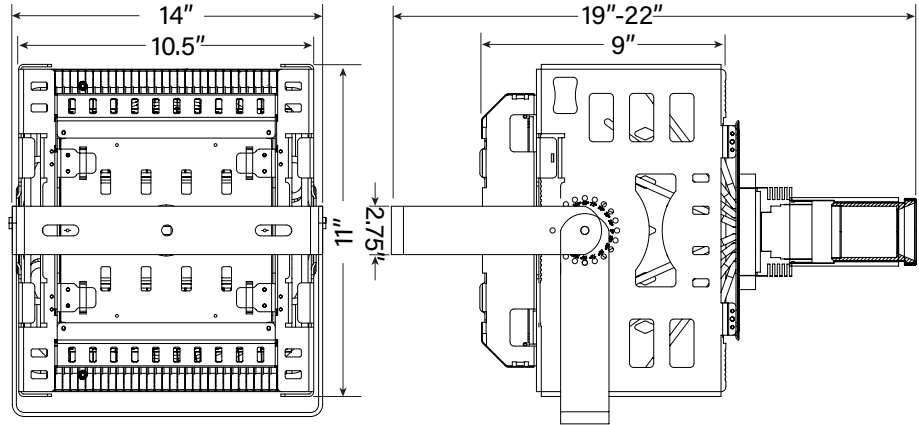


**Dimensions**

Projector Body: 11" x 10.5" x 9"  
 Projector Weight: 14lbs

**Total Length Including Projection Lens**

- f=140mm/10° - 18"
- f=100mm/15° - 17"
- f=70mm/20° - 15"
- f=56mm/20° - 15"
- f=28mm/45° - 16.5"

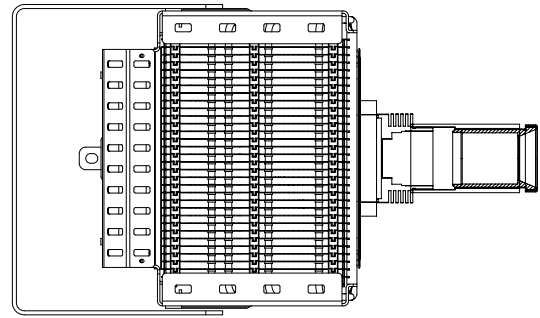


**Shipping Dimensions**

Box Size: 17" x 17" x 17"  
 Box Weight: 19lbs

**Product Warranty**

Two year repair/replacement warranty for PCE Models  
 For warranty details please visit:  
[https://www.gobosource.com/gos/pdf/Warranty\\_Gobosource.pdf](https://www.gobosource.com/gos/pdf/Warranty_Gobosource.pdf)



ECO Spot™ Photometrics						ECO Spot is a Trademark of Globus New Media LLC dba Gobosource																			
Model Gobo Size	Color Temp.	Lens	Beam Mult.	Effective In	CD	Value	PROJECTION DISTANCE IN FEET (ft)																		
							3	6	9	12	15	20	24	30	36	42	48	60	72	84	96	112	126	150	180
ES-C60	6000K	140mm (10°)	0.18	2381	93,600	Size (ft)	1.6	2.2	2.7	3.6	4.3	5.4	6.5	7.6	8.8	10.0	11.2	12.6	14.1	15.8	17.7	19.8	22.1	24.6	27.2
		Brightness (fc)	1158	850	416	234	188	104	71	51	33	23	17	13	9	7	5	4	3	2	1	1	1	1	1
ES-C60E	6000K	100mm (15°)	0.28	3362	63,360	Size (ft)	1.6	2.3	3.1	3.9	5.2	6.2	7.8	9.4	10.9	12.6	14.6	16.6	18.9	21.6	24.6	27.9	31.4	35.4	39.8
Brightness (fc)		1760	782	440	282	158	110	70	49	36	26	19	14	10	8	6	5	4	3	2	1	1	1	1	1
ES-C60PCE	6000K	70mm (20°)	0.38	3738	38,880	Size (ft)	2.1	3.2	4.2	5.3	7.0	8.4	11	13	15	17	20	22	26	31	37	44	51	59	67
		Brightness (fc)	1080	489	270	172	97	68	43	30	22	16	12	9	7	5	4	3	2	1	1	1	1	1	1
E-Size ID=25mm	6000K	50mm (25°)	0.48	4887	20,250	Size (ft)	2.7	4.1	5.4	6.8	9.0	11	14	16	19	22	26	29	34	40	48	56	65	75	85
		Brightness (fc)	840	373	210	134	76	53	34	25	17	13	9	7	5	4	3	2	1	1	1	1	1	1	1
		28mm (45°)	0.88	8952	9,792	Size (ft)	5.3	7.9	10.6	13.2	17.8	21.1	26.4	31.7	37.8	44.6	52.3	60.9	70.4	80.8	93.1	107.4	123.6	141.6	161.4
Brightness (fc)	272	121	64	41	24	17	11	8	6	4	3	2	1	1	1	1	1	1	1	1	1	1	1	1	

**How to Read the Illumination Values**

**Foot Candles (ft)** For a quick overview, the illumination values in the tables are color coded. There are many factors that determine the visibility of a projection, such as ambient light, color and reflectiveness of the projection surface, competing light, gobo colors, projector color temperature, and other factors. Therefore our recommendations should only be used as guidelines and we cannot guarantee a successful application. If you are unsure, please call us to discuss.

**Projection Size Calculation** For the resulting Projection Size at any given Distance, Multiply the number in the "Beam Mult." column with your Projection Distance. For the Distance needed to achieve a desired Projection Size, Divide the Projection size by the Beam Multiplier.

**Projection Size = Distance x Beam Mult.**  
**Distance = Projection Size / Beam Mult.**

300+	Extreme brightness for extremely bright environments, i.e. bright areas, additionally flooded with daylight, such as Lobby-, Retail-, Trade Show-, Environment, Outdoors (shady, no direct sunlight).
150-300	Very high brightness for very bright environments, such as light flooded Office-, Lobby-, Retail-, Trade Show-, Environment. Color gobos project in vibrant colors. Outdoors well visible at night with vibrant colors.
45-150	The most common brightness bracket for bright environments, such as Office, Lobby, Retail, Tradeshow. Outdoors extremely bright at night. Color gobos project well.
15-45	Sufficient brightness for environments, such as Bars, Clubs, and intimate Restaurants, Theaters, and dimmed Conference rooms. Outdoors well visible at night. Color gobos should preferably be used with lighter colors and the projection surface should be light and somewhat reflective.
15-2	Only advisable for dark environments and subtle projection of light colored artwork, preferably on light, reflective projection surface. If all conditions are met, the max. listed image distance/size can be doubled in most cases.

Metric Conversions: For Meters multiply feet by .3048. For Lux multiply footcandles by 10.76

**Package Contents**

Projector | Mounting Yokes | Lens Tube | Projection Lens | Test Gobo | User Manual

**Have Questions? Call Us!**  
**1.800.270.6449**  
**www.gobosource.com/signs**